

Lopi™

Freestanding & Inbuilt Wood Range



# Lopi Fireplaces

Lopi wood heaters and inserts have been America's favourite choice in wood heating for over forty years. Lopi's reputation for solid craftsmanship, reliable performance, unbeatable heating efficiency, leading warranties and customer service and support has been a winning combination year after year.

All Lopi fireplaces have been manufactured in the USA since 1980 with each fireplace designed and hand-assembled at the 11-acre manufacturing facility, in Mukilteo, aptly named 'The House of Fire' employing up to 600 employees and located just thirty minutes north of Seattle.

Lopi fireplaces have been warming Australian homes for more than 30 years and are sold exclusively at over 75 fireplace specialists throughout the country.

---

## How Do You Say Lopi?

**Lopi** [low-pie]

*noun*

1. Beauty, strength and independence.

---

We hear a lot of different pronunciations - Lopey...Loopee...Loppy!  
It's actually pronounced "Low-Pie", and was created by the president of Travis Industries, manufacturer of Lopi heaters, Kurt Rumens.  
Lopi means beauty, strength and independence and has become a legend in its own right.



# Freestanding Wood Models

## Republic Range | See Pages 12-13

The Freestanding Republic range of wood heaters is the quality you would expect from a Lopi wood heater at an entry price point.

## Premium Range | See Pages 14-17

This range boasts four models including small, medium and large models that are both radiant and convection heaters featuring high heating capacities, long burn times and industry leading warranties.

## Premium Cast Iron Range | See Pages 18-19

This range combines cast iron beauty with optimum heat performance and solid construction to bring you the perfect wood heater. Each model features an elegant, clean design with beautiful European castings and feature both radiant and full convection heat with powerful fans included as standard.

# Inbuilt Wood Models

## Republic Range | See Page 20

The Republic range of inbuilt wood heaters encompasses the same Lopi quality and reliable performance as our Premium Range at an entry level price point.

## Premium Range | See Pages 21-23

There are three models available including a traditional designed small wood insert and two flush designs with optional finishing face options and quiet fans as standard.





# Wood is Good!

## Energy Independence

The expense of heating your home with gas or electricity keeps going up. Lopi's wood stoves deliver both radiant and convection heat that comfortably warms every room in your home for a fraction of what you'd pay for standard utilities.

## No Power? No Problem!

A Lopi wood stove will keep you warm and cosy under any circumstance. These stoves do not require fans to operate and feature natural convection heat that will warm your home without the use of power, making them a reliable heat source during power outages.

## Lopi Wood Heater Technologies

Lopi offers three types of advanced combustion technology that deliver clean burning and efficient 2020 compliant heating products.

**Hi-Tech Technology** - Tried and trusted technology that means our wood stoves burn cleanly and heat large areas for longer with the combination of primary and secondary combustion.

Lopi Models Include:

- Republic 1250 Freestanding
- Republic 1750 Freestanding
- Republic 1750 Inbuilt
- Answer 2020 Freestanding
- Answer 2020 Inbuilt
- Flush Wood Medium Inbuilt

## NexGen-Fyre™ Technology

NexGen-Fyre™ takes our non-catalytic wood burning technology to the next level! With NexGen-Fyre™ primary and secondary combustion are harnessed to create the ultimate blended combustion system. This produces beautiful, balanced fires with double the BTU range, up to 50% greater heat output, and longer burn times than any other non-catalytic technology.

Lopi Models Include:

- Evergreen 2020 Freestanding
- Endeavor 2020 Freestanding
- Liberty 2020 Freestanding

## Hybrid-Fyre® Technology

Hybrid-Fyre® is one of the most efficient wood burning technologies in the world! This patented, award winning technology highlights the strengths of both catalytic and NexGen-Fyre™ (non-catalytic) technologies to create an advanced combustion system that burns less wood to generate the greatest heat output.

Lopi Models Include:

- Rockport Freestanding
- Cape Cod Freestanding
- Flush Wood Large Inbuilt

# DARE TO COMPARE

## We build the finest wood burning stoves on the planet

No other wood burning stove can surpass Lopi's performance or quality. It takes the best engineers and craftsmen to make the best products, and we've got them!

## Your new Lopi stove features true unibody construction

Your new Lopi stove features true unibody construction. Using a 600-ton press to form and bend the metal, we eliminate unsightly welds and increase strength. Your stove also has a 6" heavy-duty, seamless steel flue collar and heavy gauge steel construction. When you buy a Lopi, you're buying the finest. **We guarantee it**

## Tested for 'Real World' use

Lopi's entire range of wood heaters adhere to the strict Australian Standards for wood heater emissions (AS/NZS 4013) ensuring they are clean burning and environmentally responsible.

**Not only do Lopi's heaters meet this standard our heaters can be turned down a long way, heat large areas and burn overnight!**

### "Real World" Warranty

Our 7-Year Warranty offers more protection on key components than the so-called "Lifetime" warranties of some of our competitors.

When purchased from your local Lopi specialist dealer we cover all electrical (fans) for 2 years and all parts\* (with labour) for 5 years, and parts for an additional 2 years.\*\* That's because Lopi builds stoves to last a lifetime. Compare this to the fine print in other brands!

We'll stand behind the quality and performance of our products year after year because that's the way we do business --and you don't have to read the fine print for your peace of mind.

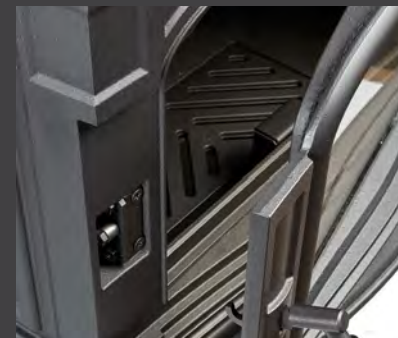
\* Excludes Door Glass & Gaskets | \*\*Republic, Cast Iron Range - 5 Year Limited Warranty



Lopi uses real kiln-fired, refractory fire brick in the firebox and baffle.

This is the same material used to line commercial boilers and furnaces. This brick is heavy and made to last.

A large capacity ash pan allows for quick and easy ash removal simply by sweeping ash from inside the stove down into the pan. Not available on the Answer.



Cast iron door features a raised, pinched door seal and secure locking door handle that ensures an airtight seal around the glass, so the door will never warp or flex. The frame also protects the glass gasket from direct contact with the fire.

# Lopi Wood Heating Technologies

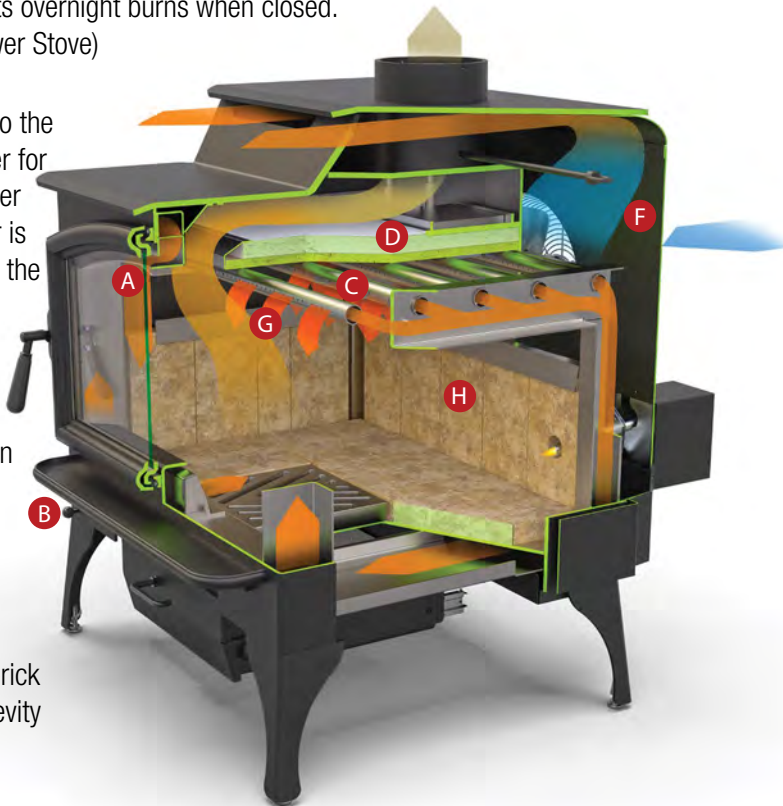
## HI-TECH & NEXGEN FYRE™

- A** Pre-heated combustion air helps the glass stay clean and the stove burn efficiently
- B** A single air control regulates the burn rate of the fire, making this advanced burner system easy to operate
- C** Secondary air tubes combine the primary and secondary fires in the combustion system
- D** Ceramic baffle board and insulation blanket (Masonry Baffle in Hi-Tech) reflects the heat to re-burn the particulate
- E** Bypass damper allows for smoke free start-ups and reloads when open, and assists overnight burns when closed. (Not available on Answer Stove)

**F** Room air is drawn into the connection air chamber for maximum heat transfer and efficiency. Hot air is circulated throughout the room from natural convection.

**G** Primary and secondary combustion are harnessed to create the ultimate blended combustion system

**H** Fully lined masonry brick lined firebox for longevity and heat retention

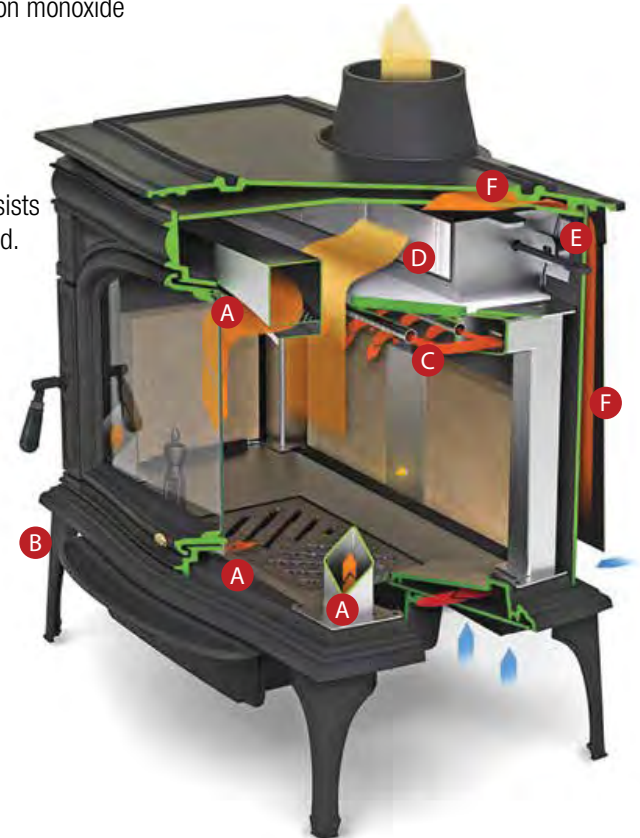


## HYBRID FYRE®

- A** Pre-heated combustion air helps the glass stay clean and the stove burn efficiently
- B** A single air control regulates the burn rate of the fire, making this advanced burner system easy to operate
- C** Secondary air tubes combined with an insulated baffle slow down the fire and re-burn the particulate
- D** A durable, large catalytic combustor incinerates any left over particulate, burning up to 99.5% of the flue gases and all but eliminating any carbon monoxide

**E** Bypass damper allows for smoke free start-ups and reloads when open, and assists overnight burns when closed.

**F** Room air is drawn through the cast iron air convection chamber for maximum heat transfer and efficiency. Hot air is circulated through your room through natural convection



# Options & Accessories

## CONVECTION FANS

Powerful fans are available either as standard or as an option on every Lopi wood heater.

*(See individual product page under options)*

All Lopi fans are thermostatically controlled so they will only operate once the firebox is hot enough so there is no unnecessary cold air being blown out.

The rear mounted fan on all models (except Answer & Republic range) moves air at 400 cubic feet per minute making it is one of the most powerful fans available.

Each fan has fully variable speed setting to suit your comfort level or can be switched off when not required.



## GREENSTART™

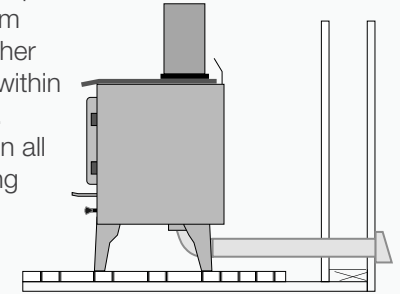
Start your wood fire with the push of a button! See below for details.

Not available on Republic Range



## OUTSIDE AIR KIT

Improve the air quality in your home by adding the optional Outside Air Kit to draw oxygen from outside rather than from within your room. Available on all freestanding models.



## GREEN START™ Igniter Option

**Starting your wood heater has never been easier, it is now as convenient as pushing a button!**

No longer is the mess of starting a fire with matches and newspapers a concern as it has been eliminated entirely by this break-through igniter system.

Fireplace safety has increased as well as there is no longer a need to leave doors ajar to promote the fire start-up. The GreenStart system works much like a blacksmith bellows. A compressor forces 760 degree Celsius preheated air into the firebox directly onto the wood source giving a clean fast smoke-free start up.

This combination of the igniter and bellows is the brilliance of this patented design. This system is also ideal for refreshing old fires as well by simply adding new fuel on top of the old coals, closing the door and pushing the button two times. This activates the bellows without activating the igniter.

The bellows will run for 7 minutes, enough time to rekindle the fire.

The new GreenStart system instantly elevates combustion temperatures within your wood heater, immediately establishes a draft and eliminates the slow and smoky typical wood fireplace start up.

The GreenStart Igniter system will start wood burning within a minute. After the initial start up the blower will continue pumping air at various speeds like a bellows into the fire greatly accelerating the start up time. After 15 minutes the blower shuts off.

For best results dry, seasoned wood is required when using the GreenStart system. Never before has starting a fire in a wood stove or insert been so simple.

*Available on all models except Republic Range*

## How GreenStart™ Works

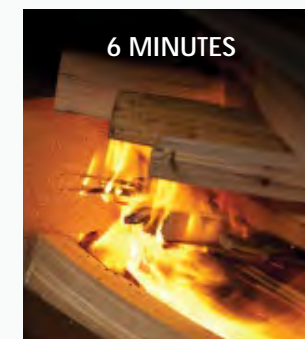
### Push a Button



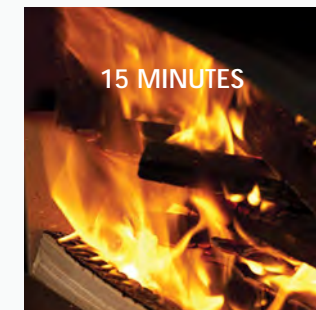
### Start Your Fire



Hot surface igniter blows 760 degree Celsius heated air into firebox igniting the wood



Igniter shuts down and blower continues to push air acting as bellows to fan the fire

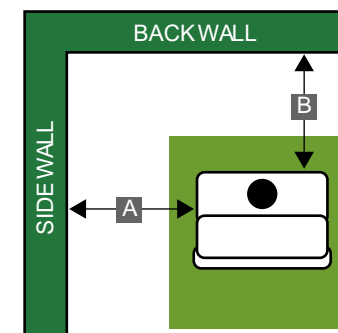


Blower shuts down. Homeowner adjusts damper and air controls to maintain the fire

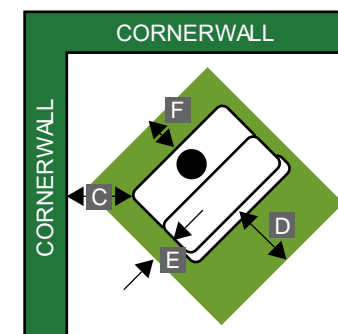
# Freestanding Wood Heater Specifications

SPECIFICATIONS	Republic 1250	Republic 1750	Answer 2020	Endeavor 2020	Evergreen 2020	Liberty 2020	Rockport	Cape Cod
Width (mm)	600	610	600	610	712	762	718	821
Height (legs) (mm)	673	674	708	813	N/A	869	801	889
Height (pedestal) (mm)	778	778	N/A	N/A	851	N/A	N/A	N/A
Depth (mm)	413	597	413	597	515	621	502	502
Flue Size (mm)	152	152	152	152	152	152	152	152
Construction (Plate Steel)	9.5 to 6mm	9.5 to 6mm	9.5 to 6mm	10mm to 8mm	6.35 to 4.75mm	10mm to 8mm	Cast Iron	Cast Iron
Weight (with legs) KG	135	195	135	203	204	209	200	267
PERFORMANCE	Republic 1250	Republic 1750	Answer 2020	Endeavor 2020	Evergreen 2020	Liberty 2020	Rockport	Cape Cod
Heating Capacity (Up to in Sq mtr)	160	220	180	250	250	300	250	300
Emissions (g/Kg)	1.5	1.2	1.5	1.1	1.5	1.3	0.7	1.3
Efficiency (Peak)	82%	67%	82%	74%	67%	64%	72%	90%
Efficiency (Average)	72%	63%	72%	66%	62%	60%	71%	83%
Maximum Burn Time (Up to)	8hrs	10hrs	8hrs	10hrs	10hrs	12hrs	10hrs	12hrs
Firebox Size (Cubic/Mtr)	.05	.06	.05	.071	.062	.103	.062	.083
Maximum Log Size (mm)	457	495	457	457	520	610	510	610

STRAIGHT WALL INSTALLATION



CORNERWALL INSTALLATION



CLEARANCES	Republic 1250	Republic 1750	Answer 2020	Endeavor 2020		Evergreen 2020	Liberty 2020		Rockport	Cape Cod
				FLUE OPTION 1	FLUE OPTION 2	FLUE OPTION 1	FLUE OPTION 2			
FLUE SYSTEM	8" Deco Mesh or 180° Half Heat Shield*			8" Deco Mesh**	8" Solid Casing***	8" Deco Mesh or 180° Half Heat Shield*	8" Deco Mesh**	8" Solid Casing***	8" Deco Mesh or 180° Half Heat Shield*	8" Deco Mesh or 180° Half Heat Shield*
A = Heater to Side Wall (mm)	500	350	325	500	500	325	550	550	400	450
B = Heater to Back Wall (mm)	200	150	200	200	225	200	325	275	175	200
C = Heater to Corner Wall	150	150	150	225	150	100	225	225	250	250
HEARTH										
D = Front (mm)	300	300	300	350	350	350	500	500	460	420
E = Sides (mm)	200	200	200	108	108	200	109	109	200	75
F = Back (mm)	152	152	152	163	163	100	109	109	175	50
Minimum Hearth Depth	865mm	1049mm	865mm	1110mm		965mm	1230mm		1187mm	1172mm

• Clearances to combustible materials are according to heater test results using a standard triple skin flue kit, (AS/NZS 2918:2001) fitted with a heat shield listed below.

\* - 1 length of 900mm deco mesh with included heat shield or 1 length of 900mm x 180° stainless steel heat shield as a minimum.

\*\* - 1 length of 900mm deco mesh with included heat shield. \*\*\* - 8" Solid Flue Kit - Ventilated. Any further enquiries please call Dragon Wholesaling Pty Ltd on 1800 064 234

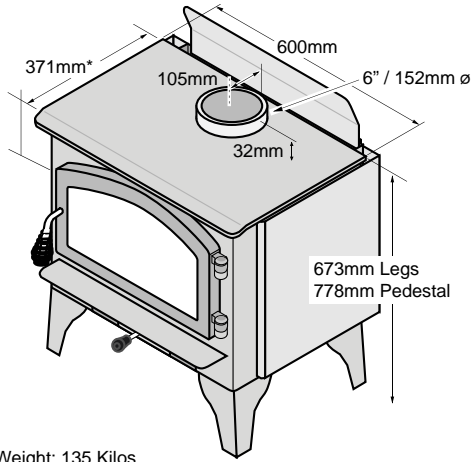
Always refer to the relevant installation manual to confirm clearances. All information available at [www.lopi.com.au](http://www.lopi.com.au)



# Freestanding Wood Heater Dimensions

**Note:** Measure all side, corner and back clearances from the stove top. Measure front clearances from the stove face

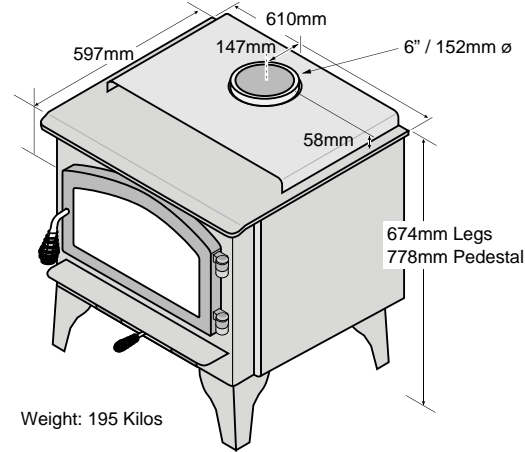
## Republic 1250



Weight: 135 Kilos

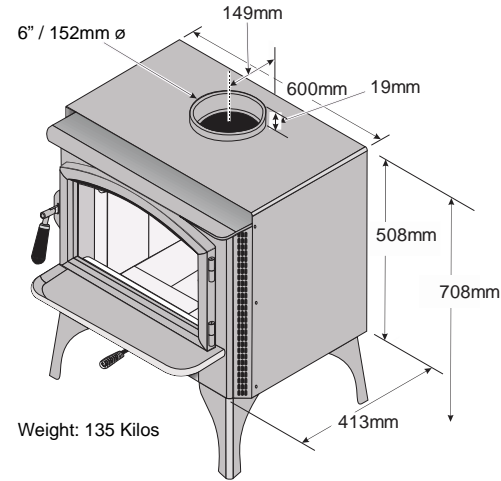
\* Distance from faceplate to rear edge of stove top

## Republic 1750



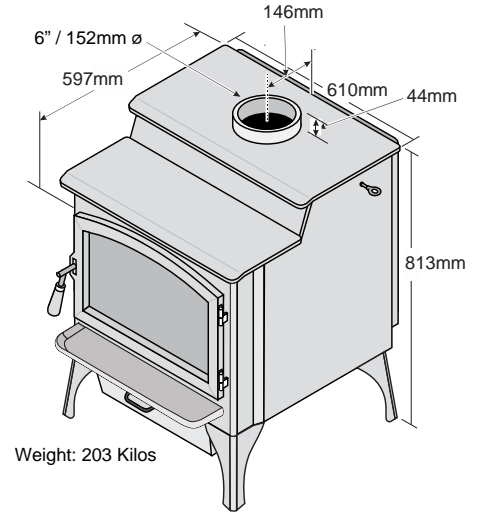
Weight: 195 Kilos

## Answer 2020



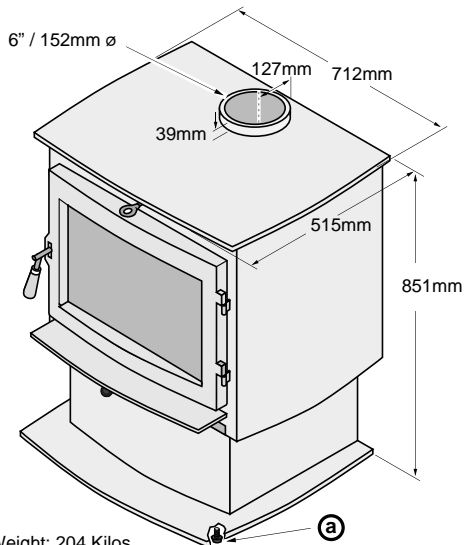
Weight: 135 Kilos

## Endeavor 2020



Weight: 203 Kilos

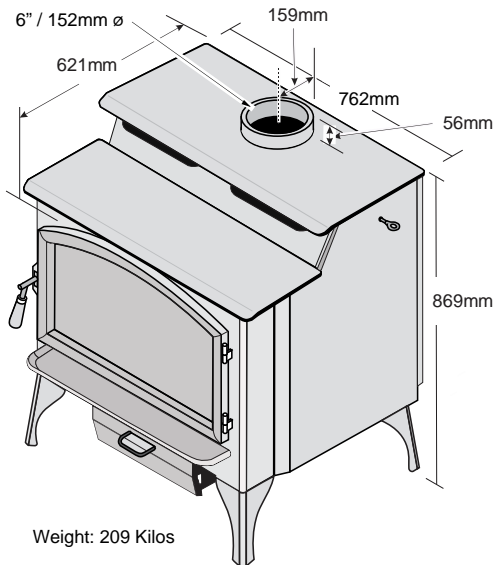
## Evergreen 2020



Weight: 204 Kilos

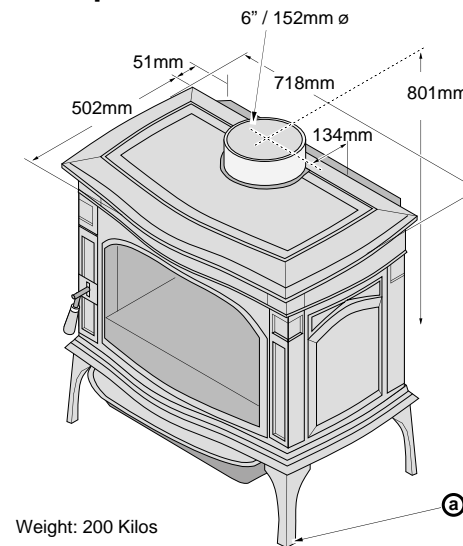
(a) Rubber-Tipped Leveling Bolts (at each corner).

## Liberty 2020



Weight: 209 Kilos

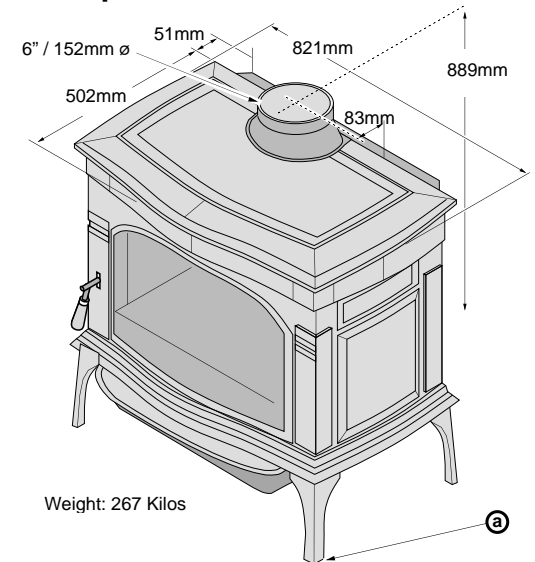
## Rockport



Weight: 200 Kilos

(a) Rubber-Tipped Leveling Bolts (at each corner).

## Cape Cod



Weight: 267 Kilos

(a) Rubber-Tipped Leveling Bolts (at each corner).

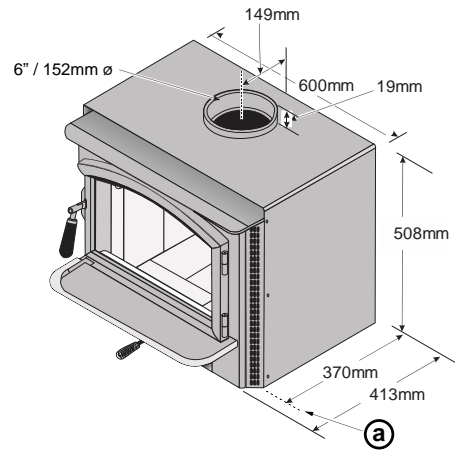
# Inbuilt Wood Heater Specifications

SPECIFICATIONS	Answer 2020 Inbuilt	Republic 1750i	Flush Wood Medium	Flush Wood Large Hybrid-Fyre™
Width (mm)	600	616	734	788
Height (mm)	508	502	547	597
Depth (mm)	413	588	483	483
Depth on Hearth (mm)	43	254	Dependant on Face	Dependant on Face
Depth Into Fireplace (mm)	370	332	483	483
Flue Size (mm)	152	152	152	152
Construction (Plate Steel)	9.5 to 6mm	9.5 to 6mm	9.5 to 6mm	9.5 to 6mm
Weight (Body) KG	135	172	200	236

PERFORMANCE	Answer 2020 Inbuilt	Republic 1750i	Flush Wood Medium	Flush Wood Large Hybrid-Fyre™
Heating Capacity (Up to in Sq mtr)	160	220	250	300
Emissions (g/Kg)	1.5	1.4	1.5	0.9
Efficiency (Peak)	82%	65%	69%	69%
Efficiency (Average)	72%	62%	65%	67%
Maximum Burn Time (Up to)	8hrs	10hrs	10hrs	12hrs
Firebox Size (Cubic/Mtr)	.05	.06	.06	.085
Maximum Log Size (mm)	457	495	610	610

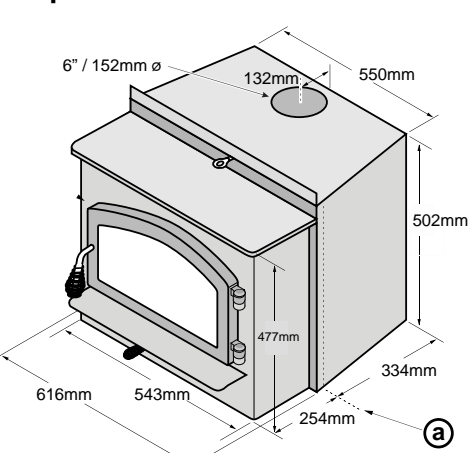
**Note:** Measure all side, corner and back clearances from the stove top. Measure front clearances from the stove face

**Answer 2020 Inbuilt**



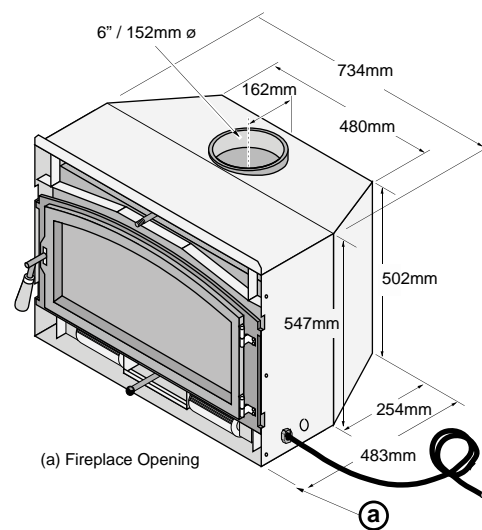
(a) Fireplace Opening

**Republic 1750i**



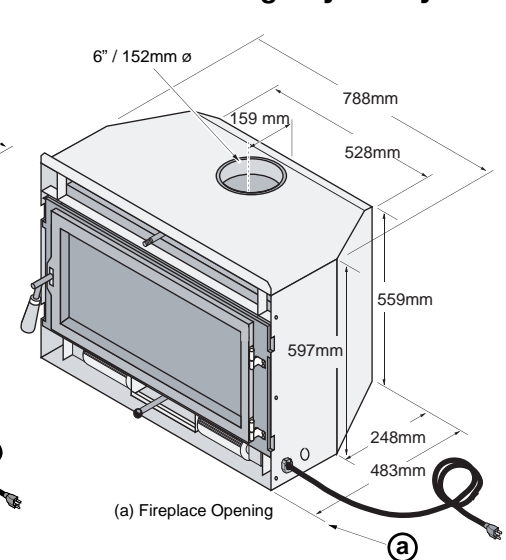
(a) Fireplace Opening

**Flush Wood Medium**



(a) Fireplace Opening

**Flush Wood Large Hybrid-Fyre®**



(a) Fireplace Opening

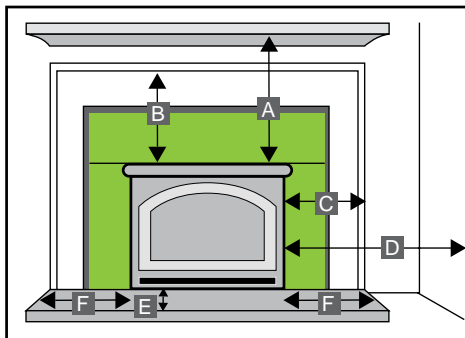
# Inbuilt Wood Heater Dimensions

CLEARANCES	Answer 2020 Inbuilt	Republic 1750i	Flush Wood Medium	Flush Wood Large Hybrid-Fyre™
<b>A = Firebox to Mantel - (mm)</b> (Flush Wood Models - Measurements from Base of Heater)	394	775	1195	1300
<b>B = Firebox to Top Facing (mm)</b> (Flush Wood Models - Measurements from Base of Heater)	305	724	750	1210
<b>C = Firebox Side to Side Facing (mm)</b>	242	330	100	175
<b>D = Firebox Side to Side Wall (mm)</b>	331	381	229	N/A
<b>E = Min Hearth Depth (mm)</b>	450	406	450	450
<b>F = Min Hearth Width - Sides (mm)</b>	200	200	150	150
<b>FIREPLACE SIZING</b>				
<b>G = Minimum Depth (mm)</b>	370	350	483	483
<b>H = Minimum Front Width (mm)</b>	620	620	785* **	839* **
<b>I = Minimum Back Width (mm)</b>	620	570	480	528
<b>J = Minimum Height (mm)</b>	550	550	550	597
<b>PANEL SIZES</b>				
<b>3 Piece 200mm x 200mm (mm)</b>	-	703 x 1024	-	-
<b>3 Piece 250mm x 250mm (mm)</b>	-	754 x 1127	-	-
<b>Custom 4 Sided Panel (mm)</b>	-	-	800 x 1067	850 x 1067
<b>1 Piece Panel Small (mm)</b>	724 x 1016	724 x 1016	775 x 1067	825 x 1067
<b>1 Piece Panel Large (mm)</b>	775 x 1067	775 x 1067	864 x 1118	889 x 1194

**\*All models require a masonry enclosure.**

**Flush Wood Medium & Large Hybrid-Fyre™ models have an optional zero clearance box available for a combustible installation demanding different clearances. Please see [lopi.com.au](http://lopi.com.au) for separate sizing & framing information**

## Clearances to Unprotected Combustibles



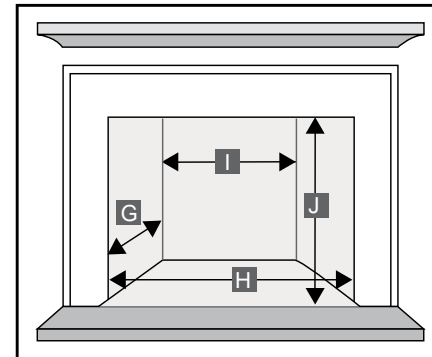
### Hearth Requirements:

All Inserts must have a non-combustible hearth pad that extends by the nominated amount in front and to the sides of the insert, with a minimum thickness of 80mm. Refer to installation manual for further details.

### Sizing Your Fireplace for an Insert:

Use these illustrations in conjunction with the information under the "Fireplace Sizing" headings.

## Fireplace Sizing



\*\* If using the GreenStart Igniter the minimum opening width required is 915mm at the front of the opening for the first 90mm depth.

Always refer to the relevant installation manual to confirm clearances available at [www.lopi.com.au](http://www.lopi.com.au)

# Republic 1250

HI-TECH



Experience the performance and quality you've come to expect in Lopi wood heaters in two mid-priced economy models. Without compromising construction or function, Lopi has produced the Republic wood heater range that's designed to be affordable, good looking and just plain heats.

The economically priced Republic™ 1250 is designed to heat smaller homes or for zonal heating specific areas or rooms. Features include large radiant heat transfer surfaces, fully lined ceramic brick firebox, heavy-duty steel construction, and the option of either steel legs or pedestal.

<b>Heating Capacity:</b>	Up to 160Sqm*
<b>Max Burn Time:</b>	Up to 8 Hours
<b>Peak Efficiency:</b>	82%
<b>Average Efficiency:</b>	72%
<b>Emissions:</b>	1.5g/Kg
<b>Firebox Size:</b>	.05 Cubic Metres
<b>Weight:</b>	136Kg (with Legs)
<b>Construction:</b>	9.5 - 6mm Steel Plate

**Options:** Convection Fan, Choice of Steel Legs or Pedestal, Outside Air Kit



Republic 1250  
with Pedestal Option

# Republic 1750

HI-TECH



The Republic™ 1750 wood stove offers the classic Lopi look with a radiant surface for cooking and a convection surface for warming, and it packs a powerful punch.

Its ceramic brick lined firebox is larger than most small stoves. To get heat to the room, the Republic 1750 uses a rear and top convection chamber to enhance warm air circulation throughout your home. This provides more even heat than you get with a radiant-only wood stove. The economically priced Republic 1750 is ideal for mid-sized homes and for zonal heating specific areas of larger homes.

<b>Heating Capacity:</b>	Up to 220Sqm*
<b>Max Burn Time:</b>	Up to 10 Hours
<b>Peak Efficiency:</b>	67%
<b>Average Efficiency:</b>	63%
<b>Emissions:</b>	1.2g/Kg
<b>Firebox Size:</b>	.06 Cubic Metres
<b>Weight:</b>	195Kg (with Legs)
<b>Construction:</b>	9.5 - 6mm Steel Plate

**Options:** Convection Fan, Choice of Steel Legs or Pedestal, Outside Air Kit

\*Heating capacity varies according to the size of closed off area, ceiling height, floor plan, insulation and outside air temperature

# Lopi Answer 2020

HI-TECH

It may be small, but the Answer 2020 compact size belies its incredible heating capacity.

The Answer uses a five-sided convection chamber to distribute heat evenly throughout your home. Cool room air is naturally drawn around the hot firebox, heated, and returned back into the room without using a blower.

The Answer's .05 cubic metre firebox is larger than most other small stoves, so it offers longer burn times with less reloading. The large viewing area and easy to use door handle design make this an impressive heater both in looks and performance.

**Heating Capacity:** Up to 180Sqm\*

**Max Burn Time:** Up to 8 Hours

**Peak Efficiency:** 82%

**Average Efficiency:** 72%

**Emissions:** 1.5g/Kg

**Firebox Size:** .05 Cubic Metres

**Weight:** 136Kg (with Legs)

**Construction:** 9.5 - 6mm Steel Plate

**GREEN START™**

COMPATIBLE - SEE PAGE 7 FOR DETAILS

**Options:** Convection Fan, Outside Air Kit & GreenStart™

# Lopi Evergreen 2020

NEXGEN  **FYRE™**

The mid-sized Evergreen 2020 wood stove with its gentle curved lines complements any home's decor while artfully presenting heavy gauge steel uni-body construction and a cast iron door. The result is exquisite and reliable heating for decades to come.

The Evergreen features a bypass damper for smokeless reloads and easy start-up by giving you full control over the flow of smoke inside your fire. Your burn rate, from a mellow overnight burn to a large rolling fire, is effortlessly managed by a single air control knob found below the stove's door.

The Evergreen ships standard with a powerful 400 cfm rear mounted fan that is fully variable allowing you to easily control air flow.

**Heating Capacity:** Up to 250Sqm\*  
**Max Burn Time:** Up to 10 Hours  
**Peak Efficiency:** 67%  
**Average Efficiency:** 62%  
**Emissions:** 1.5g/Kg  
**Firebox Size:** .062 Cubic Metres  
**Weight:** 204Kg (with Legs)  
**Construction:** 6.35 to 4.75mm Steel Plate

**GREEN START™**  
COMPATIBLE - SEE PAGE 7 FOR DETAILS

**Options:** Outside Air Kit & GreenStart™



A large capacity ash pan is included into the design of the Evergreen. Simply sweep ash from inside the stove down through the Ash Pan Access Ports. The large capacity ash-pan = LESS CLEANING!

\*Heating capacity varies according to the size of closed off area, ceiling height, floor plan, insulation and outside air temperature

# Lopi Endeavor 2020

NEXGEN  FYRE™

The Lopi Endeavor 2020 is a beautiful workhorse that unites form and function into an unbeatable heat transfer system. This new model features the Endeavor's classic step-top design for both radiant and natural convection heat with cook-top facility.

The firebox is designed to load large pieces of timber thanks to the deep design. Sit back and enjoy the fire burning through the impressive large glass viewing area with burn times up to 10 hours.

In addition, the by-pass damper feature helps aid you in lighting the fire faster and assists in preventing smoke-backs while starting and reloading. This new design features a large glass door viewing area, Next-Gen™ technology and an ash pan adding even more practicality to this new model.

- Heating Capacity:** Up to 250Sqm\*
- Max Burn Time:** Up to 10 Hours
- Peak Efficiency:** 74%
- Average Efficiency:** 66%
- Emissions:** 1.1g/Kg
- Firebox Size:** .071 Cubic Metres
- Weight:** 203Kg
- Construction:** 10mm to 8mm Steel Plate

**GREEN  START™**  
COMPATIBLE - SEE PAGE 7 FOR DETAILS



**Options:** Rear Mounted 400 CFM Fan, Outside Air Kit & GreenStart™



# Lopi Liberty 2020

NEXGEN  FYRE™

The Liberty 2020 is a large stove made for heating large homes and living spaces. At only 1.3 grams of emissions per hour, it is one of the cleanest burning large stoves approved for use in Australia.

The huge firebox and fire viewing area allows you to load wood up to 61cm long and fully appreciate the splendour of the fire. It also features a single control to adjust air flow, making it easy to achieve burn times up to 12 hours. Next-Gen™ technology makes all of this achievable. The Liberty's step-top design is enchanting yet functional, providing cooking and warming surfaces as well as radiant and convective heat. Finally add the practicality of an ash-pan and you have the perfect wood heater for large homes.

**Heating Capacity:** Up to 300Sqm\*

**Max Burn Time:** Up to 12 Hours

**Peak Efficiency:** 64%

**Average Efficiency:** 60%

**Emissions:** 1.3g/Kg

**Firebox Size:** .103 Cubic Metres

**Weight:** 209Kg

**Construction:** 10mm to 8mm Steel Plate

**GREEN START™**

COMPATIBLE - SEE PAGE 7 FOR DETAILS

**Options:** Rear Mounted 400 CFM Fan, Outside Air Kit & GreenStart™

\*Heating capacity varies according to the size of closed off area, ceiling height, floor plan, insulation and outside air temperature

# Lopi Rockport

HYBRID  FYRE®

The Lopi Rockport combines cast iron beauty with optimum heat performance and solid construction to bring you the perfect mid-sized wood stove.

The Rockport features an elegant, clean design with beautiful European castings, bold lines and a gentle curved shape that will complement any homes decor. This heavy duty stove features a large firebox, with 165 square inch viewing area, easy-to-use ash pan and a full convection heat exchanger that provides maximum radiant and convective heat. The rear mounted powerful 400 CFM fan is included as standard allowing you to blast that convection heat out when required.

The Rockport features revolutionary patented Hybrid-Fyre® technology, making it one of the cleanest burning and most efficient wood stoves in the world! The Rockport boasts an impressive 0.7 grams of emissions per hour and high overall efficiency of up to 72%.

**Heating Capacity:** Up to 250Sqm\*  
**Max Burn Time:** Up to 10 Hours  
**Peak Efficiency:** 72%  
**Average Efficiency:** 71%  
**Emissions:** 0.7g/Kg  
**Firebox Size:** .062 Cubic Metres  
**Weight:** 200Kg  
**Construction:** Cast Iron

**GREEN  START™**

COMPATIBLE - SEE PAGE 7 FOR DETAILS

**Options:** Outside Air Kit & GreenStart™



# Lopi Cape Cod

HYBRID  Fyre®

The Lopi Cape Cod is one of the cleanest burning, and efficient large wood heaters available in Australia. With a peak efficiency of 90% and low emissions of just 1.3g/kg this wood heater is very difficult to beat!

The large .085 cubic metre firebox, cast iron stove design is the complete package. It features elevated craftsmanship and Lopi styling as well as cutting edge Hybrid-Fyre™ technology.

The Cape Cod is a unique cast iron wood stove as it features a full convection chamber surrounding the firebox. Room air is drawn through the back convection chamber then circulated through the convection channel where it is heated. This hot air is then expelled from the top convection chamber through natural convection increasing the temperature of the room. Additionally, a high performance 400 CFM fan pushes convection air through the stove greatly improving heat transfer and air circulation into the room.

**Heating Capacity:** Up to 300Sqm\*  
**Max Burn Time:** Up to 12 Hours  
**Peak Efficiency:** 90%  
**Average Efficiency:** 83%  
**Emissions:** 1.3g/Kg  
**Firebox Size:** .083 Cubic Metres  
**Weight:** 267Kg  
**Construction:** Cast Iron

**GREEN START™**

COMPATIBLE - SEE PAGE 7 FOR DETAILS

**Options:** Outside Air Kit & GreenStart™



\*Heating capacity varies according to the size of closed off area, ceiling height, floor plan, insulation and outside air temperature

# Republic 1750 Inbuilt

**HI-TECH**

The Republic™ 1750 Inbuilt offers the classic Lopi look with a radiant surface for cooking. Unlike most other wood inserts this model projects onto the hearth exposing large parts of the firebox to provide radiant heat to the room. Its ceramic brick lined firebox is larger than most and it uses a rear and top convection chamber to enhance warm air circulation throughout your home. This provides more even heat than you get with a radiant-only wood stove. There is an optional fan available that is located at the front of the heater under the ash tray and shown in the image below. The economically priced Republic 1750i is ideal for mid-sized homes and for zonal heating specific areas of larger homes.

<b>Heating Capacity:</b>	Up to 220Sqm*
<b>Max Burn Time:</b>	Up to 10 Hours
<b>Peak Efficiency:</b>	65%
<b>Average Efficiency:</b>	62%
<b>Emissions:</b>	1.4g/Kg
<b>Firebox Size:</b>	.06 Cubic Metres
<b>Weight:</b>	170Kg (with Legs)
<b>Construction:</b>	9.5 - 6mm Steel Plate

## Options: Convection Fan

Lopi Republic 1750i - Shown with optional fan installed

# Lopi Answer 2020 Inbuilt

HI-TECH

The Answer 2020 Inbuilt is a great size for small existing fireplaces. It's size belies its incredible heating capacity. The Answer Inbuilt uses a five-sided convection chamber to distribute heat evenly throughout your home. Cool room air is naturally drawn around the hot firebox, heated, and returned back into the room without using a blower. The Answer's .05 cubic metre firebox is larger than most other small inserts, so it offers longer burn times with less reloading. This model has a huge viewing area and sleek door design to make viewing and operating this insert easy and enjoyable.

**Heating Capacity:** Up to 160Sqm\*  
**Max Burn Time:** Up to 8 Hours  
**Peak Efficiency:** 82%  
**Average Efficiency:** 72%  
**Emissions:** 1.5g/Kg  
**Firebox Size:** .05 Cubic Metres  
**Weight:** 136Kg (with Legs)  
**Construction:** 9.5 - 6mm Steel Plate

**GREEN START™**  
COMPATIBLE - SEE PAGE 7 FOR DETAILS

**Options:** GreenStart™ & Convection Fan  
Lopi Answer 2020 Inbuilt - Shown with One Piece Panel



\*Heating capacity varies according to the size of closed off area, ceiling height, floor plan, insulation and outside air temperature

# Lopi Flush Wood Medium Inbuilt

HI-TECH

The Lopi Flush Wood Insert features emissions of only 1.5 g/ Kg making this insert one of the cleanest burning wood inserts on the market.

This streamlined Lopi offers the option of four faces, all featured to the right and can be chosen to compliment your homes decor. This model features dual fans that are fully variable and can be turned off when wanting to enjoy just radiant heat.

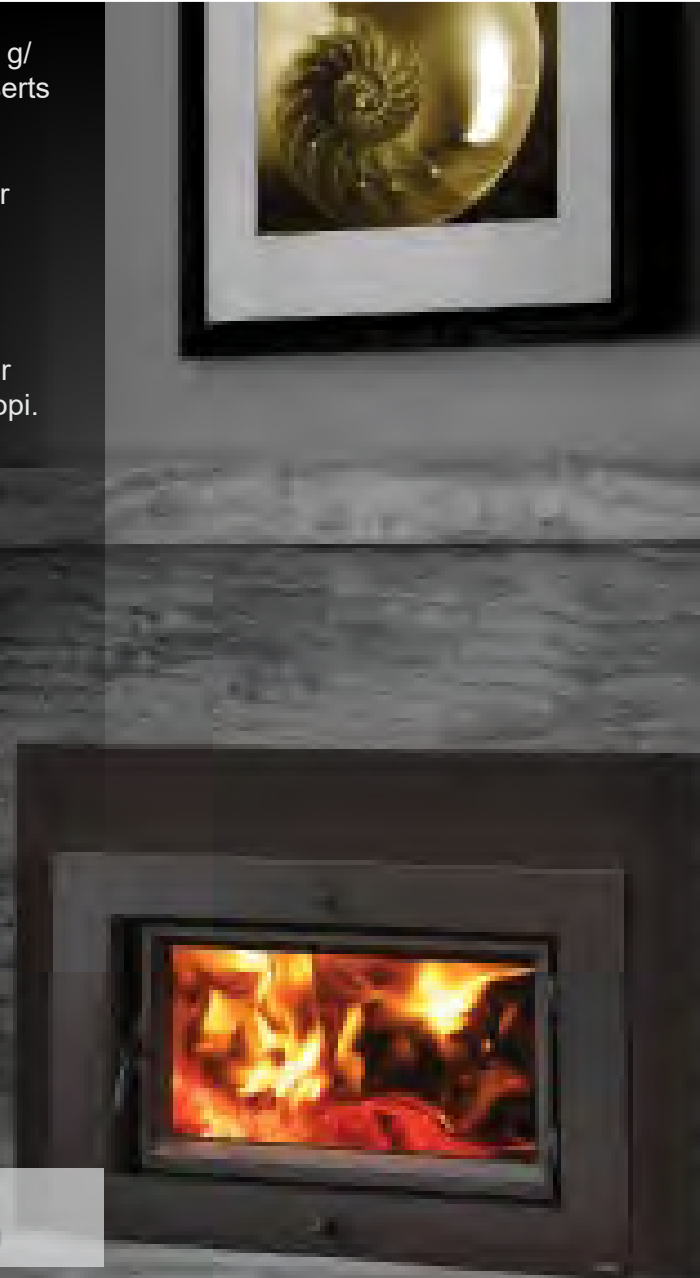
This model is designed for existing masonry fireplaces but can also be enclosed within a timber frame in new builds or renovations with the optional zero clearance box kit. See [lopi.com.au](http://lopi.com.au) for further information.

- Heating Capacity:** Up to 250Sqm\*
- Max Burn Time:** Up to 10 Hours
- Peak Efficiency:** 69%
- Average Efficiency:** 65%
- Emissions:** 1.5g/Kg
- Firebox Size:** .062 Cubic Metres
- Weight:** 200Kg (with Legs)
- Construction:** 9.5 - 6mm Steel Plate

**GREEN START™**

COMBUSTIBLE - SEE PAGE 7 FOR DETAILS

**Options:** GreenStart™, Zero Clearance Box  
Lopi Flush Wood Medium - Shown with Shadowbox™ Face & One Piece Panel



## Face Options



Metropolitan Face



Universal Face



Shadowbox™ Face Black



Times Square™ Face

# Lopi Flush Wood Large Inbuilt

HYBRID  FYRE<sup>®</sup>

The Flush Wood Large Hybrid-Fyre™ fireplace insert features the exclusive clean burning Hybrid-Fyre™ Technology.

The net result of this technology is a super clean burning insert, with emissions of just 0.9 grams.

We are taking clean burning to an unmatched level and with a peak efficiency of 69%. This means more heat from less wood and greater savings on your heating cost! This insert will heat up to 300sqm, with up to 12 hours burn times and is standard with powerful twin fans. This model can also be enclosed within a timber frame in new builds or renovations with the optional zero clearance box kit. See [lopi.com.au](http://lopi.com.au) for further information.

**Heating Capacity:** Up to 300Sqm\*

**Max Burn Time:** Up to 12 Hours

**Peak Efficiency:** 69%

**Average Efficiency:** 67%

**Emissions:** 0.9g/Kg

**Firebox Size:** .085 Cubic Metres

**Weight:** 236Kg (with Legs)

**Construction:** 9.5 - 6mm Steel Plate

**GREEN START™**  
COMPATIBLE - SEE PAGE 7 FOR DETAILS



**Options:** GreenStart™, Zero Clearance Box

Lopi Flush Wood Large Hybrid-Fyre™ - Shown with Shadowbox™ Face & One Piece Panel

## Face Options



Metropolitan Face



Universal Face



Shadowbox™ Face Black



Times Square™ Face

\*Heating capacity varies according to the size of closed off area, ceiling height, floor plan, insulation and outside air temperature

Authorised Lopi Dealer:



Proudly Supporting



STEVE WAUGH FOUNDATION  
[www.stevewaughfoundation.com.au](http://www.stevewaughfoundation.com.au)



Distributed in Australia  
by Dragon Wholesaling Pty Ltd  
Ph. 1800 064 234  
[www.lopi.com.au](http://www.lopi.com.au)

**Note:** Improper installation of your wood appliance or failure to operate it in accordance to the guidelines detailed in the installation manual may negate warranty and endanger your home and family. Installation information is available on our website at [www.lopi.com.au](http://www.lopi.com.au)

We recommend all Lopi appliances be installed and maintained on an annual basis by your local authorised Lopi dealer.

\*All Information correct at the time of printing but are subject to change at any time at the discretion of Dragon Wholesaling Pty Ltd.

There may be colour differences due to printing variations and photography lighting.