



PETIT GODIN

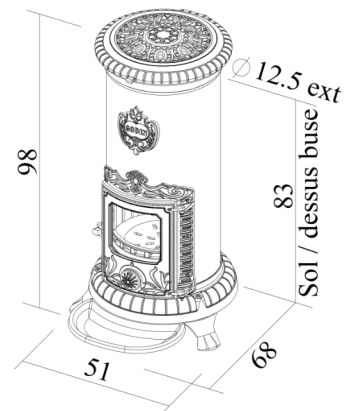


The Petit Godin has an iconic look that makes it the main attraction in any home. It features beautiful cast iron embellishments that come in a range of designer colours. The Petit Godin's beautiful, unique design is so versatile, it doubles as both an efficient fireplace and a statement piece, standing out against the backdrop of any modern or classic home.

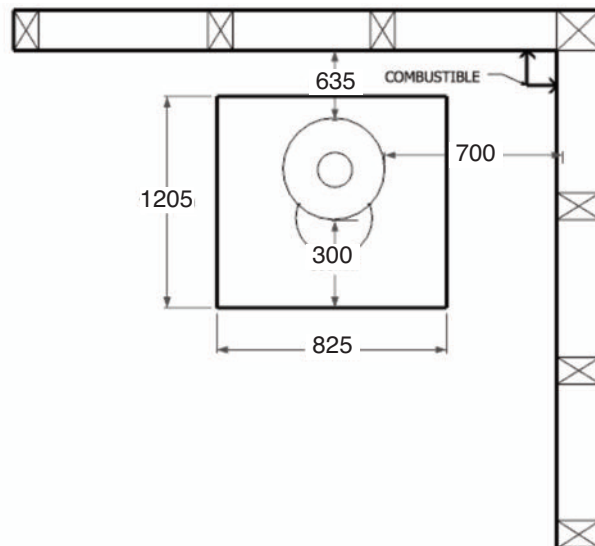
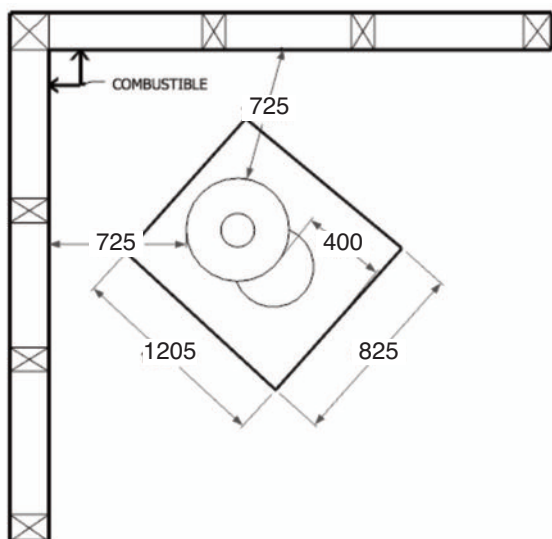
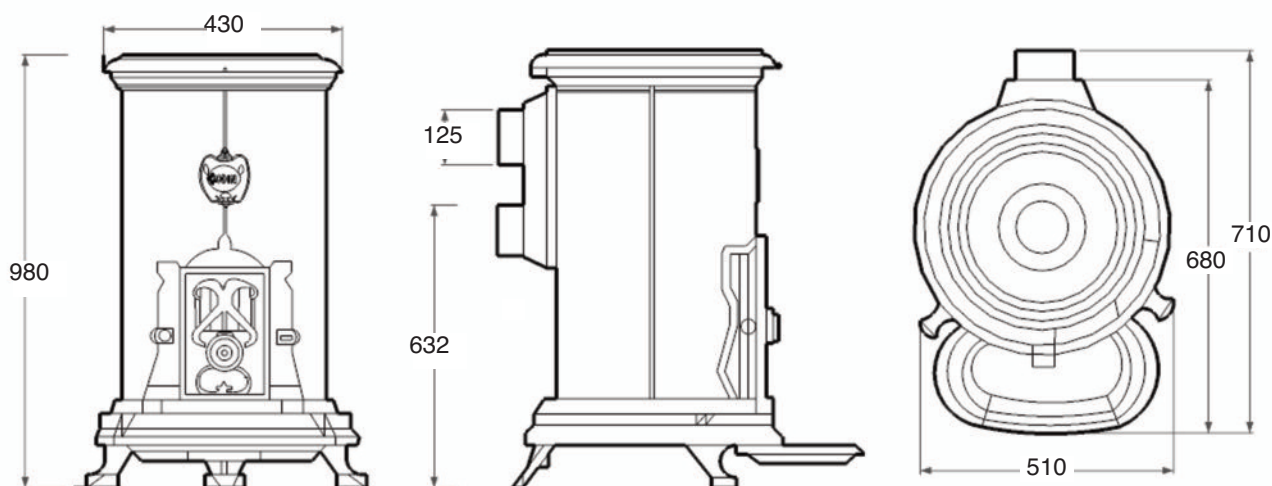


FEATURES & BENEFITS:

- Timeless, unique fireplace design
- 10 beautiful colours to choose from
- Heat output up to 220sq.m
- Weight 100kg
- Front & top loading fuel
- Fuel: wood burning, logs up to 25cm and 50cm vertical
- Flue size 125mm
- Fireplace all cast iron and enamelled steel
- Advantage - positioning of logs vertically allows for longer burn time up to 7-8 hours



GODIN PETIT STANDARD INSTALLATION



HEATER DIMENSIONS

Height = 955mm
 Width = 425mm
 Depth = 710mm
 Weight = 102kg

HEARTH REQUIREMENTS

Minimum Width = 825mm
 Minimum Depth = 1205mm
 From door to front of hearth = 300mm
 Hearth thickness = 20mm

DATA SPECIFICATION

Heating Capacity = 160 sq m
 Flue Type - 6" /150mm Triple skin flue
 Report Number: ASFT17048

CLEARANCE FROM NON COMBUSTIBLE MATERIAL

Rear = 100mm Side = 100mm Corner = 100mm

CLEARANCES FROM COMBUSTIBLE MATERIAL

Rear = 635mm Side = 700mm Corner = 725mm

IMPORTANT:

Appliance and Flue kit to be strictly installed in accordance to AS/NZS 2918:2001 and the appropriate requirements of the relevant codes. Installer to be a qualified licensed person.

**CHEMINÉES
 PHILIPPE
 AUSTRALIA**

430 Johnston St., Abbotsford, Victoria 3067 Phone: 03 9417 3315
 e-mail: sales@wignells.com.au www.chemphilaust.com.au