

**INTEGRATED APPLIANCES**

**ECBN 6256**



**LIEBHERR**

Quality, Design and Innovation

# LIEBHERR 91CM INTEGRATED FRENCH DOOR ECBN 6256



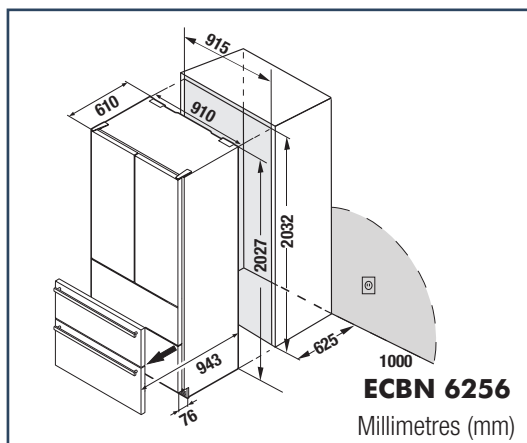
**Bio Fresh**

**Ice Maker**

**No Frost**

**Soft System**

**3 Year Warranty**



Model	ECBN 6256
Type	FI
Finish	Own cabinetry
Energy consumption (kWh/yr)   Star rating	517kWh   2.5
Compressors	2
Total capacity litres (L) - Gross   Net	585   480
Refrigerator gross (L)   net (L)	329   295
Freezer gross (L)   net (L)	183   116
BioFresh gross (L)   net (L)	73   69
MagicEye control system   Display	SoftTouch   LCD
Child proof setting for display & temp.	•
PremiumPlus lighting	•
Sabbath mode	•
SoftSystem hinge - assists closure	•
Door open warning signal	•
Temperature alarm	•
Malfunction warning signal	•
Optional extra stainless steel panels & handles	•

#### Refrigerator Features

BioFresh drawers on telescopic rails	2
SuperCool	•
GlassLine shelves	•
Elegant holding columns	•
Bottle shelf	Integrated
Automatic refrigerator defrosting	•

#### Freezer Features

Freezer defrosting	Frost Free
FrostSafe system	• (white)
Freezer drawers   Ice cube drawer	2   1
SuperFrost	•
24hr freezing capacity (kg)	11
IceMaker	•
Ice cube capacity (kg/24h)	1.3
Ice cube stock max. (kg)	2.7
Stainless steel hose supplied (m)	3

#### Technical Information

Default hinge	French
Voltage (V)   Rated Current (A)	220-240   1.5
Made in	Austria

KEY: FI = Fully Integrated.

Whilst every effort is made to ensure all specifications and information in this flyer are correct at time of printing, Andi-Co Australia Pty. Ltd. reserve the right to make changes without notification. Where actual appliance measurements, specifications and ratings are crucial, we recommend that the actual appliance installation instructions that accompany each appliance be checked. Andi-Co Australia will not be liable for any loss.