

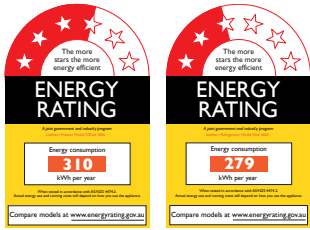
SIDE BY SIDE COMBINATIONS

SBSef 7242

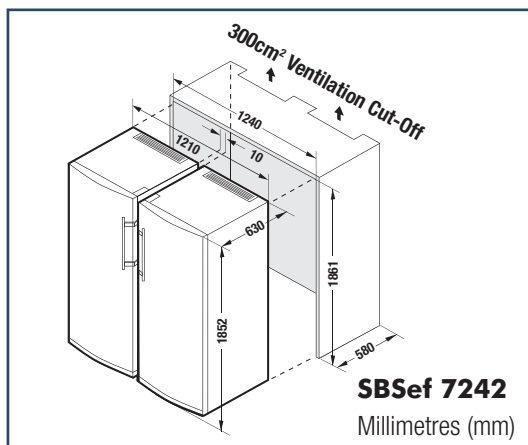


LIEBHERR

LIEBHERR SIDE BY SIDE COMBINATION SBSeF 7242



Smart Steel Doors No Frost 3 Year Warranty



Model	SBSeF 7242*	
*Side-by-Sides comprised of two models	SGNeF 3036	SKeF 4260
Type Finish	FS SmartSteel [®] (doors only)	FS SmartSteel [®] (doors only)
Energy consumption (kWh/yr) Star rating	310kWh 3.5	279kWh 2.5
Compressors	1	1
Total capacity litres (L) - Gross Net	304 261	405 391
Refrigerator gross (L) Refrigerator net (L)	-	405 391
Freezer gross (L) Freezer net (L)	304 261	-
MagicEye control system Display	SoftTouch LCD	SoftTouch LCD
Child proof setting for display & temp.	•	•
LED standard lighting	•	•
Aluminium handle - integrated opening device	•	•
Door open warning signal	•	•
Temperature alarm	•	-
Malfunction warning signal	•	•

Refrigerator Features

Fruit & vegetable drawer	N/A	2
SuperCool	N/A	•
GlassLine shelves	N/A	•
Elegant holding columns	N/A	•
Bottle shelf Egg tray	- N/A	• •
Automatic refrigerator defrosting	N/A	•

Freezer Features

Freezer defrosting	Frost Free	N/A
FrostSafe system with transparent drawers	•	N/A
Freezer drawers Ice cube drawer	8 -	N/A
SuperFrost	•	N/A
24hr freezing capacity (kg)	20	N/A

Technical Information

Default hinge	Left	Right
Voltage (V) Rated Current (A)	220-240 1.3	220-240 1.2
Made in	Bulgaria	Bulgaria

KEY: FS = Freestanding, N/A = Not Applicable, ° = SmartSteel is only on doors, * = Freestanding side by sides consist of two Liebherr models. These models **can** be purchased separately. Cavity clearance for freestanding units please allow min. 50 mm above the unit if there is no ventilation cut-out.

Whilst every effort is made to ensure all specifications and information in this flyer are correct at time of printing, Andi-Co Australia Pty. Ltd. reserve the right to make changes without notification. Where actual appliance measurements, specifications and ratings are crucial, we recommend that the actual appliance installation instructions that accompany each appliance be checked. Andi-Co Australia will not be liable for any loss.