

**INTEGRATED APPLIANCES**

**SIGN 3576**



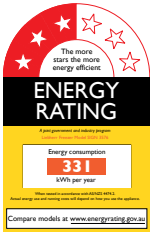
Watch the  
integration  
ventilation video  
**here**  
<https://youtu.be/R0emxcVnj4w>



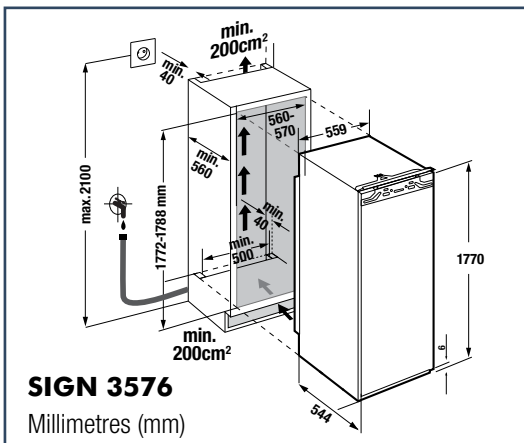
**LIEBHERR**

Quality, Design and Innovation

# LIEBHERR 60CM INTEGRATED FREEZER SIGN 3576



- Ice Maker
- Soft Telescopic
- Soft System
- No Frost
- 3 Year Warranty



Model	SIGN 3576
Type	FI
Finish	Own cabinetry
Energy consumption (kWh/yr)   Star rating	331kWh   3.0
Compressors	1
Total capacity litres (L) - Gross   Net	248   207
Freezer gross (L)   net (L)	248   207
MagicEye control system   Display	SoftTouch   LCD
Child proof setting for display & temp.	•
Premium	•
SoftSystem hinge - assists closure	•
Door open warning signal	•
Temperature alarm	•
Malfunction warning signal	•

#### Freezer Features

Freezer defrosting	Frost Free
FrostSafe system - transparent drawers	•
Freezer drawers   Ice cube drawer	8   1
SuperFrost	•
VarioSpace	•
24hr freezing capacity (kg)	18
Cold storage accumulators	2
IceMaker	•
Ice cube capacity (kg/24h)	0.8
Ice cube stock max. (kg)	1.5
Stainless steel hose supplied (m)	1.5

#### Technical Information

Default hinge	Left
Voltage (V)   Rated Current (A)	220-240   1.3
Made in	Germany

KEY: FI = Fully Integrated. Door hinging either right or left hand must be nominated for this model.

Whilst every effort is made to ensure all specifications and information in this flyer are correct at time of printing, Andi-Co Australia Pty. Ltd. reserve the right to make changes without notification. Where actual appliance measurements, specifications and ratings are crucial, we recommend that the actual appliance installation instructions that accompany each appliance be checked. Andi-Co Australia will not be liable for any loss.