

INTEGRATED APPLIANCES

SIKB 3550



Watch the integration ventilation video [here](https://youtu.be/R0emxcVnj4w)
<https://youtu.be/R0emxcVnj4w>



LIEBHERR

LIEBHERR 60CM INTEGRATED REFRIGERATOR SIKB 3550



Bio Fresh

Soft Telescopic

Soft System

3 Year Warranty



Model	SIKB 3550
Type	FI
Finish	Own cabinetry
Energy consumption (kWh/yr) Star rating	328kWh 1.5
Compressors	1
Total capacity litres (L) - Gross Net	344 308
Refrigerator gross (L) net (L)	245 216
BioFresh gross (L) net (L)	99 / 92
MagicEye control system Display	SoftTouch LCD
Child proof setting for display & temp.	•
Premium	•
SoftSystem hinge - assists closure	•
Door open warning signal	•
Malfunction warning signal	•

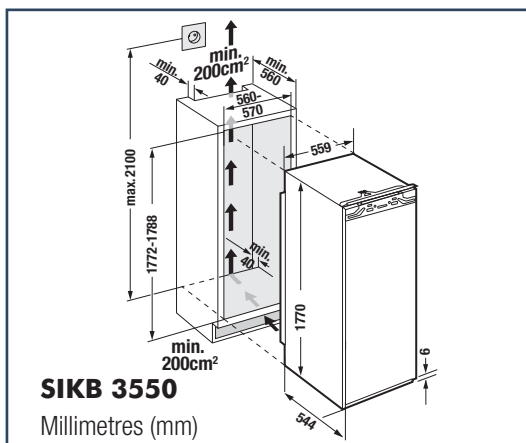
Refrigerator Features

BioFresh drawers on telescopic rails	3
SuperCool	•
GlassLine shelves	•
VarioSafe	•
Elegant holding columns	•
Bottle shelf Egg tray	Integrated •
Automatic refrigerator defrosting	•

Technical Information

Default hinge	Right
Voltage (V) Rated Current (A)	220-240 1.2
Made in	Germany

KEY: FI = Fully Integrated. Door hinging either right or left hand must be nominated for this model.



Whilst every effort is made to ensure all specifications and information in this flyer are correct at time of printing, Andico Australia Pty. Ltd. reserve the right to make changes without notification. Where actual appliance measurements, specifications and ratings are crucial, we recommend that the actual appliance installation instructions that accompany each appliance be checked. Andico Australia will not be liable for any loss.