

**FREESTANDING SINGLE UNITS**

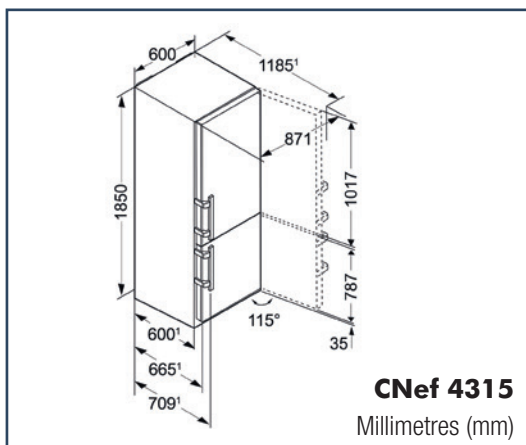
**CNef 4315**



**LIEBHERR**

Quality, Design and Innovation

# LIEBHERR FREESTANDING SINGLE REFRIGERATOR/FREEZER CNeF 4315



Model	CNeF 4315
Type   Finish	FS   SmartSteel (doors only)
Energy consumption (kWh/yr)   Star rating	202   5.5
Compressors	1
Total capacity litres (L) - Gross   Net	350   321
Refrigerator gross (L)   Refrigerator Net (L)	230   220
Freezer gross (L)   Freezer net (L)	120   101
Touch-Electronic LCD display	•
Child proof setting for display & temp.	•
LED ceiling light (fridge)	•
Aluminium handle - integrated opening mechanism	•
DuoCooling	•
Door open warning signal	•
Temperature alarm	•
Malfunction warning signal	•
Removable door seals	•

#### Refrigerator Features

BioCool-Box	•
SuperCool	•
Sabbath mode	•
Activated charcoal filter	•
GlassLine shelves	•
Elegant holding columns	•
Bottle rack	•
Egg tray	•
Automatic refrigerator defrosting	•

#### Freezer Features

Freezer defrosting	Frost Free
FrostSafe system with transparent drawers	•
Freezer drawers	3
SuperFrost	•
VarioSpace	•
Ice cube tray	•
24hr freezing capacity (kg)	16

#### Technical Information

Default hinge	Right
Voltage (V)   Rated current (Amps)	220 - 240   1.4
Made In	Germany
Height (mm)	1850
Depth (mm)	665
Width (mm)	600

Whilst every effort is made to ensure all specifications and information in this flyer are correct at time of printing, Andi-Co Australia Pty. Ltd. reserve the right to make changes without notification. Where actual appliance measurements, specifications and ratings are crucial, we recommend that the actual appliance installation instructions that accompany each appliance be checked. Andi-Co Australia will not be liable for any loss.

KEY: FS = Freestanding. Cavity clearance for freestanding units please allow min. 50 mm above the unit if there is no ventilation cut-out. Door hinging either right or left hand must be nominated for this model.